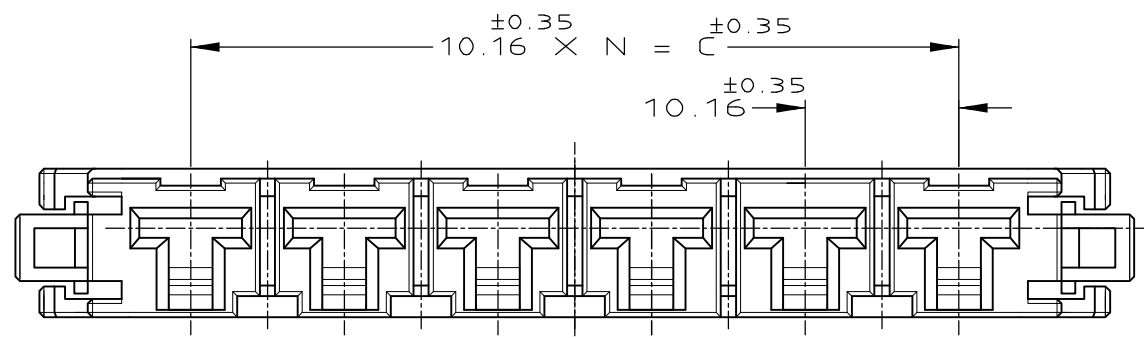
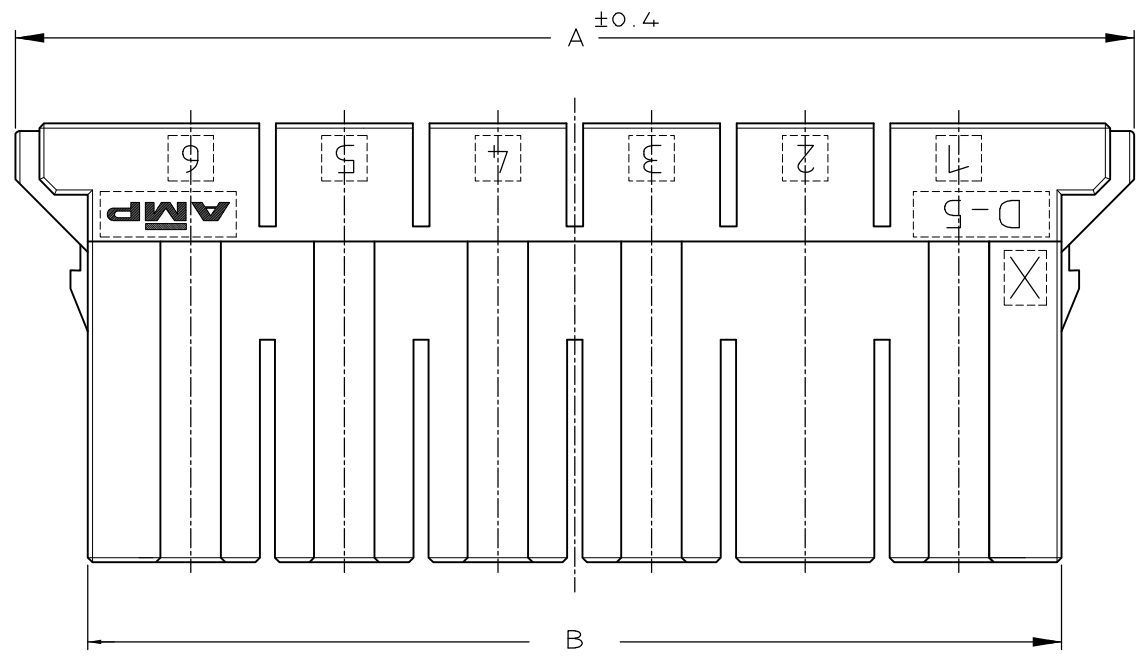
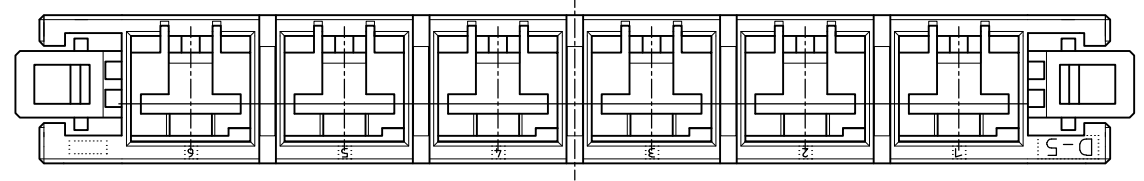
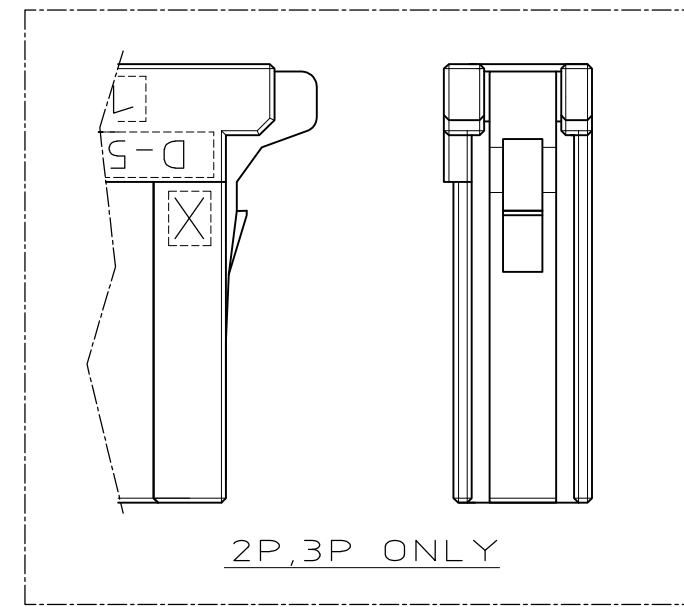
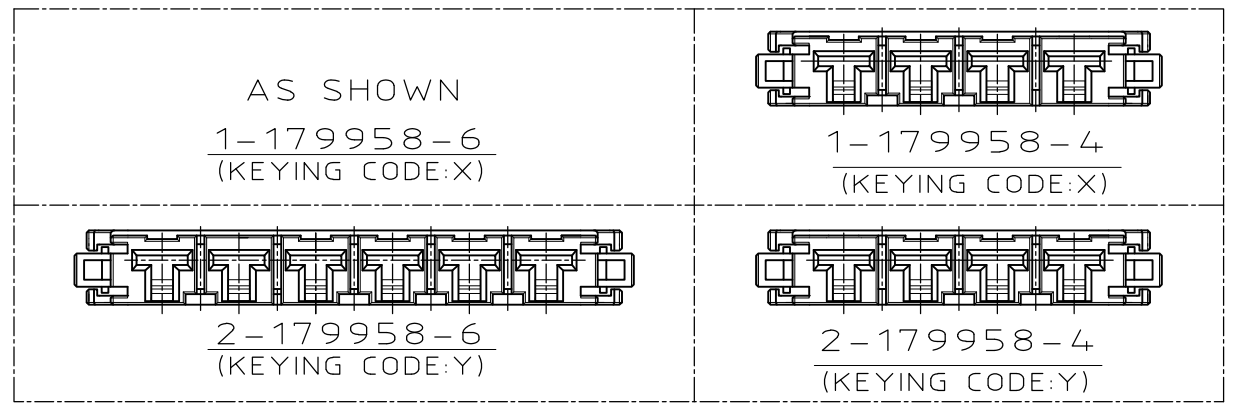


THIS DRAWING IS UNPUBLISHED. RELEASED FOR PUBLICATION  
 © COPYRIGHT - By Tyco Electronics Japan G.K. ALL RIGHTS RESERVED.

LOC	DIST	REVISIONS			
P	LTR	DESCRIPTION	DATE	DWN	APVD
		E3 REVISED	23OCT2012	H.M	N.Y



1-179958-6  
(KEYING CODE:X)

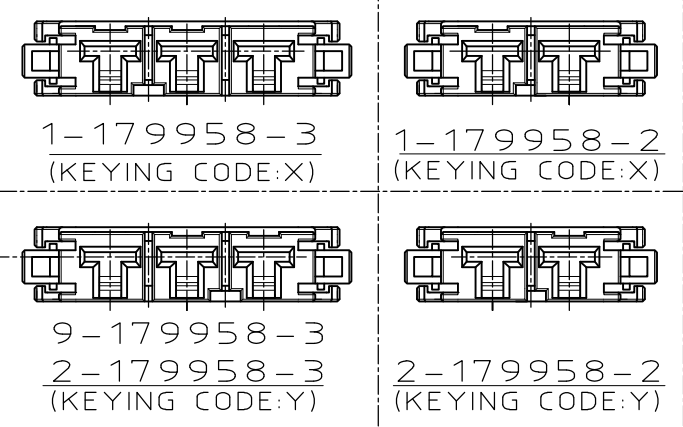


2P,3P ONLY

- 注記
- ① 材料 ハウジングガラス入り熱可塑性ポリエステル樹脂(94V-0),色黒
  - ② ハウジング全面にテフロン塗装のこと
  - ③ 製品規格 : 108-5453

- NOTES
- ① MATERIAL:HOUSING:GLASS FILED THERMO PLASTIC ,POLYESTER(94V-0),COLOR:BLACK
  - ② TO COAT ALL SURFACE OF HOUSING WITH TEFLON
  - ③ PRODUCT SPEC :108-5453

FINISH	C	B	A	N	POS	COLOR	P/N
	50.8	64.4	74	5	6	BLACK	2-179958-6
						BLACK	1-179958-6
OBSOLETE							<del>5-179958-4</del>
						BLACK	2-179958-4
OBSOLETE	30.48	44.08	53.68	3	4	BLACK	1-179958-4
							<del>5-179958-3</del>
						NATURAL	9-179958-3
						BLACK	2-179958-3
	20.32	33.92	45.92	2	3	BLACK	1-179958-3
						BLACK	2-179958-2
	10.16	23.76	35.76	1	2	BLACK	1-179958-2



THIS DRAWING IS A CONTROLLED DOCUMENT.		DWN	Y.ISHIKAWA	22MAR1995
DIMENSIONS: mm		CHK	S.MANABE	23MAR1995
TOLERANCES UNLESS OTHERWISE SPECIFIED:		APVD	S.MABABE	23MAR1995
0 PLC	± 10	PRODUCT SPEC		
1 PLC	± 30	APPLICATION SPEC		
2 PLC	± 100	WEIGHT		
3 PLC	±	CUSTOMER DRAWING		
4 PLC	± 3'	SCALE 2:1		
ANGLES	± 3'	SHEET 1 OF 1		
FINISH		REV E3		

**STE** TE Connectivity

SINGLE ROW REC HSG  
DYNAMIC D-5200

SIZE A3 CAGE CODE 00779 DRAWING NO C-179958 RESTRICTED TO -